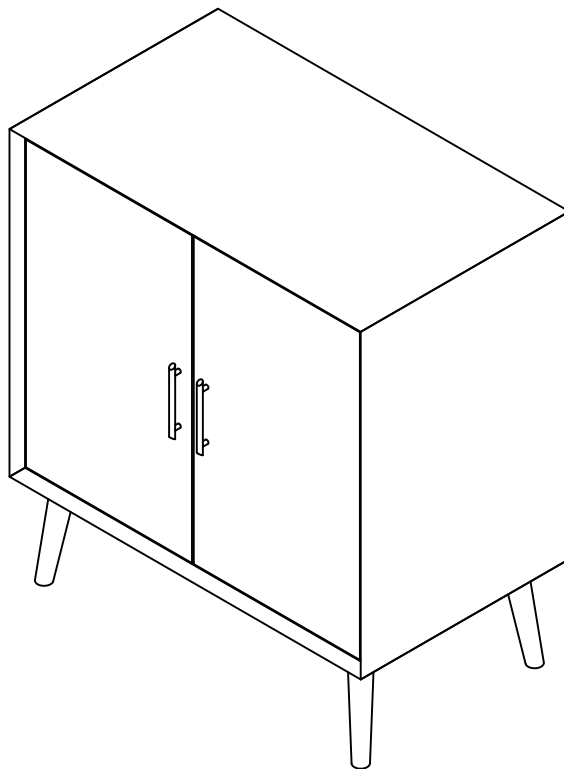
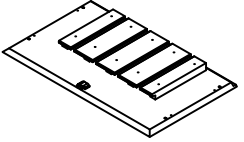
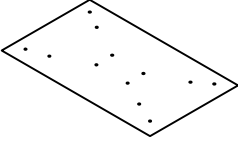
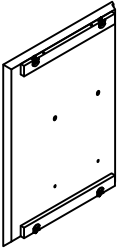
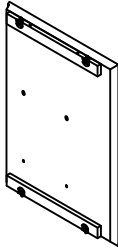
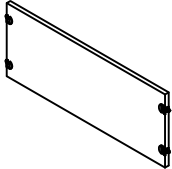
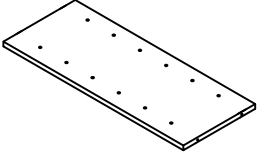
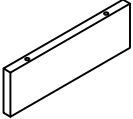
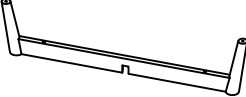
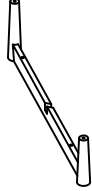
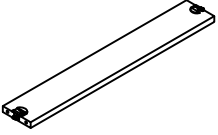
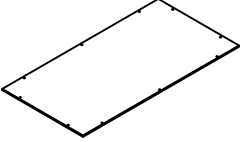
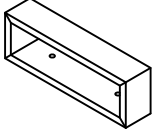
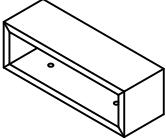
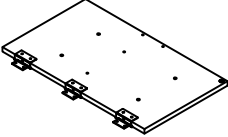
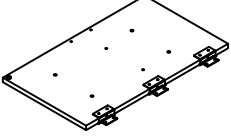
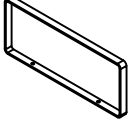




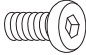
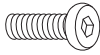
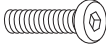
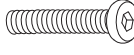




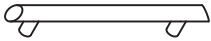



Bar Cabinet
CF4403



PART LIST

<p>A</p> 	<p>B</p> 	<p>C</p> 	<p>D</p> 	<p>E</p> 
<p>Top Panel 1 PC</p>	<p>Bottom Panel 1 PC</p>	<p>Left Side Panel 1 PC</p>	<p>Right Side Panel 1 PC</p>	<p>Top Shelf 1 PC</p>
<p>F</p> 	<p>G</p> 	<p>H</p> 	<p>I</p> 	<p>J</p> 
<p>Bottom Shelf 1 PC</p>	<p>Bottom Partition Panel 6 PCS</p>	<p>Front Leg Frame 1 PC</p>	<p>Back Leg Frame 1 PC</p>	<p>Back Connecting Rail 1 PC</p>
<p>K</p> 	<p>L</p> 	<p>M</p> 	<p>N</p> 	<p>O</p> 
<p>Back Panel 2 PCS</p>	<p>Top Storage Box 2 PCS</p>	<p>Bottom Storage Box 2 PCS</p>	<p>Left Door Panel 1 PC</p>	<p>Right Door Panel 1 PC</p>
<p>P</p>  <p>Metal Frame 2 PCS</p>				

HARDWARE LIST

 $\text{Ø}1/4\text{''} \times 12$	 $\text{Ø}1/4\text{''} \times 20$	 $\text{Ø}1/4\text{''} \times 38$	 $\text{Ø}1/4\text{''} \times 57$	 $\text{Ø}6 \times 30$
Bolt 4 PCS (Extra 1)	Short Bolt 8 PCS (Extra 1)	Medium Bolt 4 PCS (Extra 1)	Long Bolt 4 PCS (Extra 1)	Small Wood Dowel 32 PCS (Extra 1)
 $\text{Ø}8 \times 30$	 $\text{Ø}3 \times 12$	 M4 x 20		 $\text{Ø}3.5 \times 12$
Large Wood Dowel 12 PCS (Extra 1)	Small Screw 20 PCS (Extra 1)	Round Head Bolt 4 PCS	Handle 2 PCS	Large Screw 12 PCS (Extra 1)
 M4				
Allen Wrench 1PC	Safety Strap Kit 1 PC			

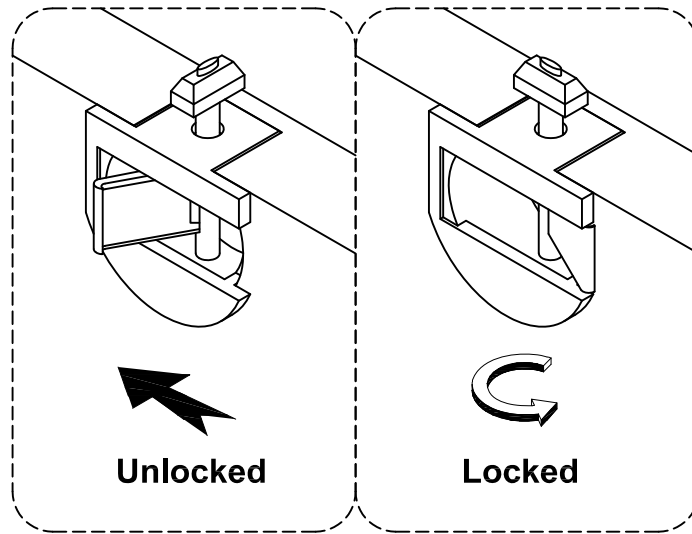
ADDITIONAL TOOLS (Not Provided)

Note: It is not recommended to use power tools during assembly.



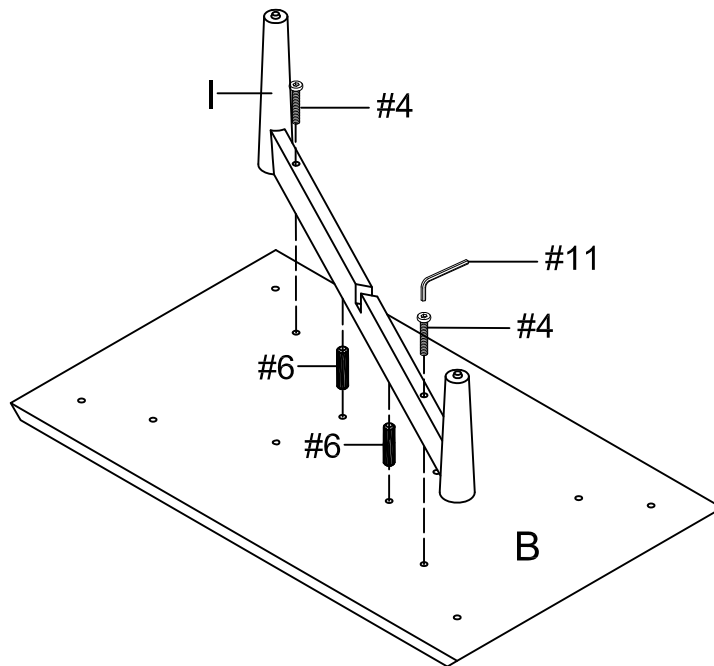
Phillips Head Screwdriver




Please do not use tools to assemble this unit unless specifically indicated.



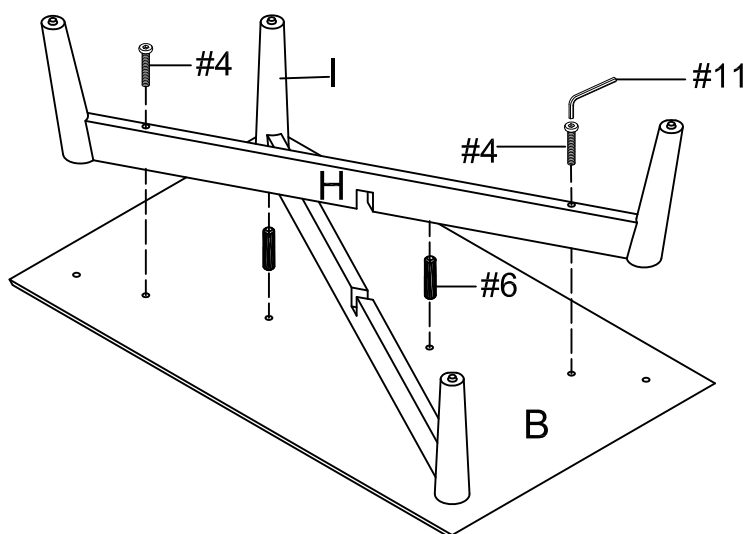
Reference the images above any time the instructions state "lock the hardware".
Note: Be sure to check all hardware is locked when completed.

Step 1. Lay bottom panel (part B) upside down on a soft surface, such as carpet, as shown below. Attach back leg frame (part I) to bottom panel (part B) using long bolts (part #4), large wood dowels (part #6) and allen wrench (part #11).



- #4  x 2
- #6  x 2
- #11  x 1

Step 2. Attach front leg frame (part H) to bottom panel (part B) using long bolts (part #4), large wood dowels (part #6) and allen wrench (part #11).

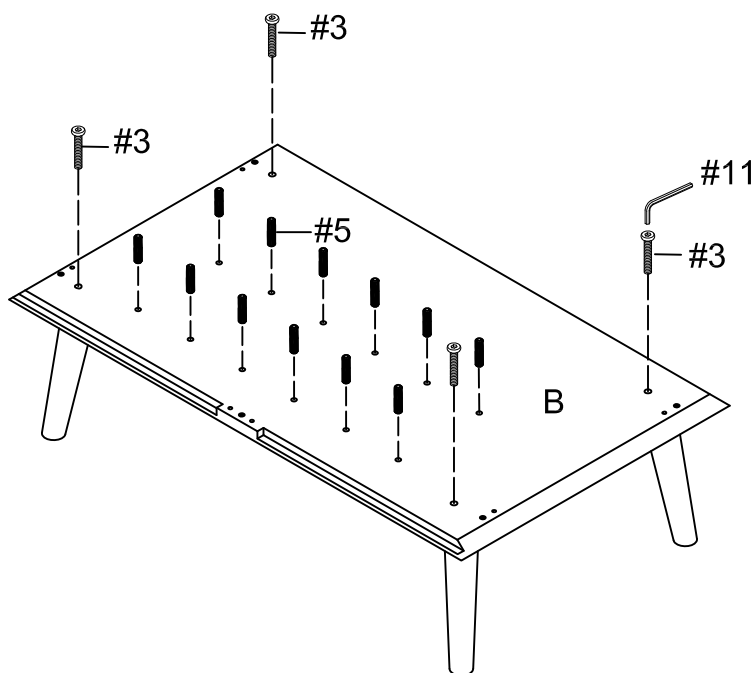


#4  x 2

#6  x 2

#11  x 1

Step 3. Carefully turn assembled unit (parts B, H & I) upright. Secure front leg frame (part H) and back leg frame (part I) to bottom panel (part B) using medium bolts (part #3) and allen wrench (part #11). Insert small wood dowels (part #5) into bottom panel (part B).

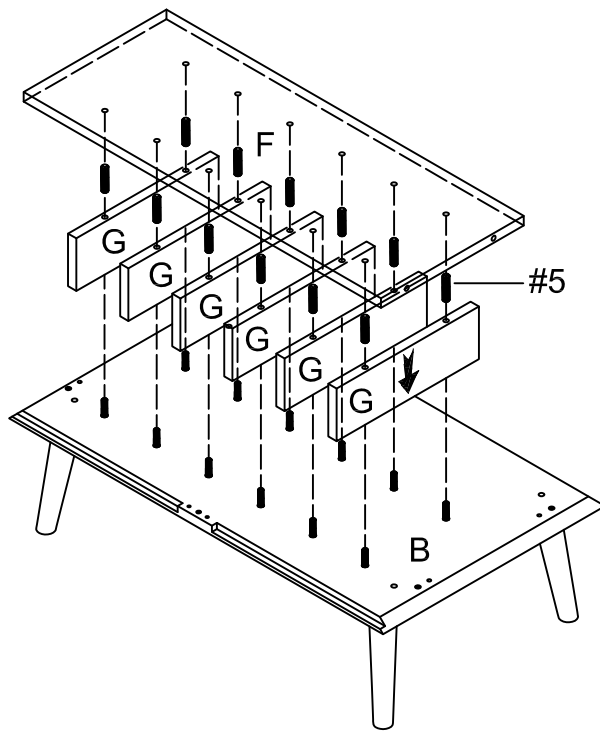


#3  x 4

#5  x 12

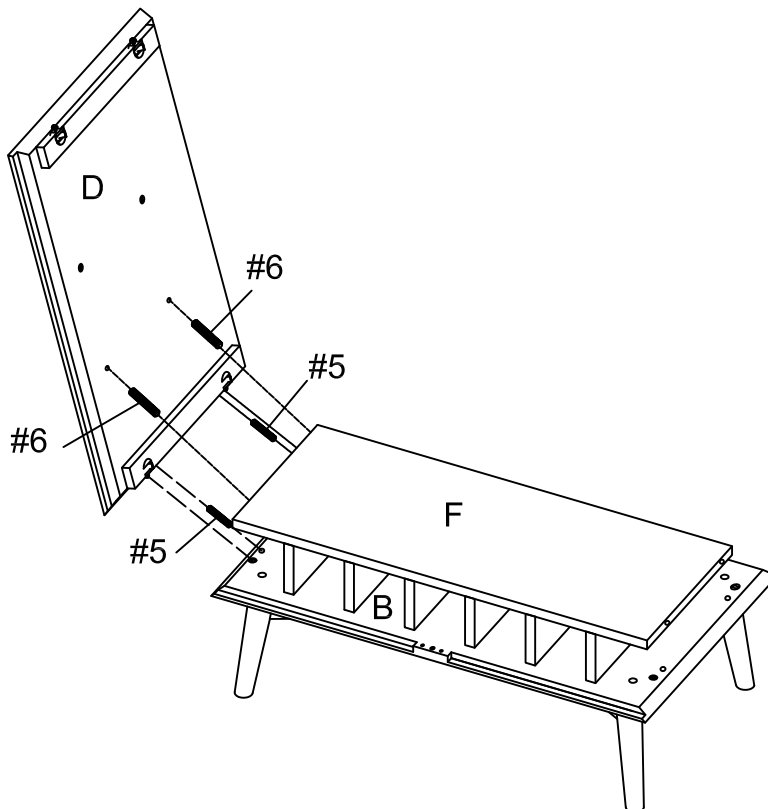
#11  x 1

Step 4. Attach bottom partition panels (part G) to bottom panel (part B) and bottom shelf (part F) using small wood dowels (part #5).



#5  x 12

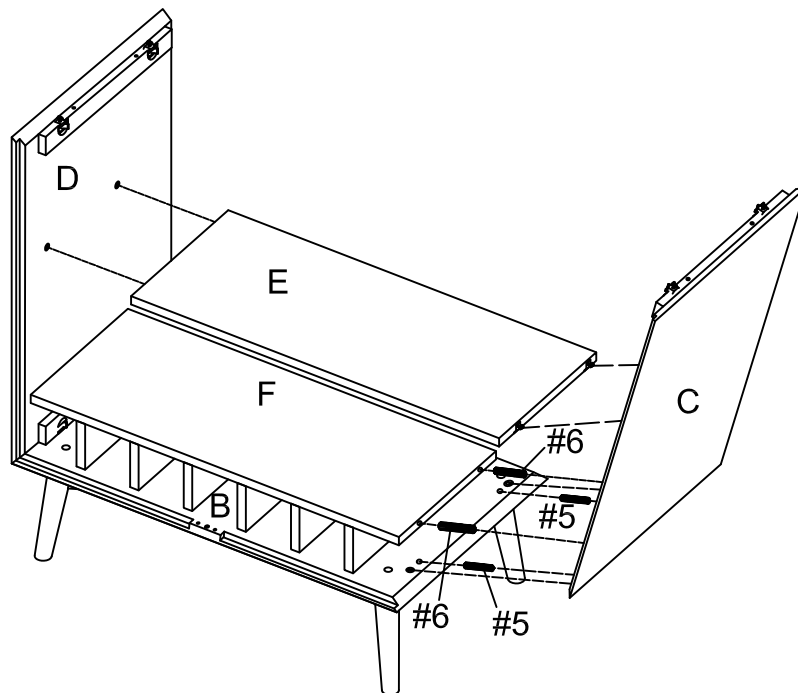
Step 5. Attach right side panel (part D) to bottom panel (part B) and bottom shelf (part F) using small wood dowels (part #5), large wood dowels (part #6) and lock the hardware.





#5  x 2

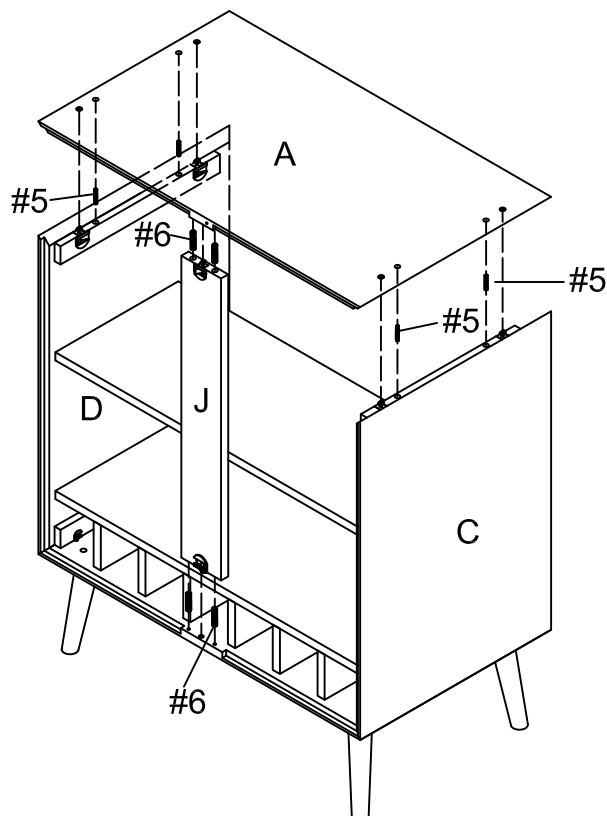
#6  x 2



Step 6. Attach top shelf (part E) to right side panel (part D) by locking the hardware. Attach left side panel (part C) to bottom panel (part B), top shelf (part E) and bottom shelf (part F) using small wood dowels (part #5), large wood dowels (part #6) and lock the hardware.



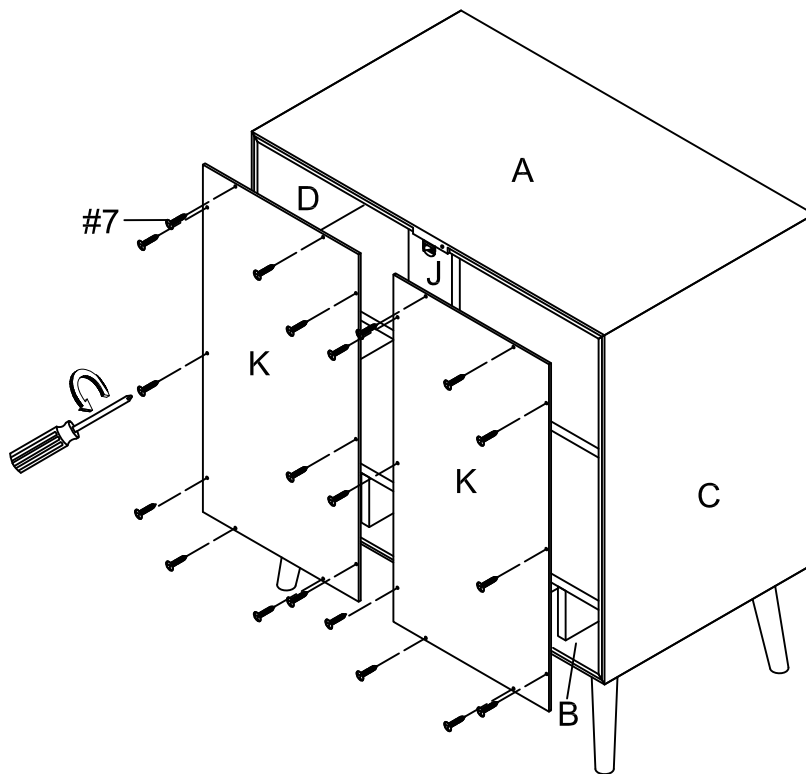
#5  x 2
 #6  x 2

Step 7. Attach back connecting rail (part J) to bottom panel (part B) using large wood dowels (part #6) and lock the hardware. Attach top panel (part A) to assembled unit (parts C, D & J) using small wood dowels (part #5), large wood dowels (part #6) and lock the hardware.



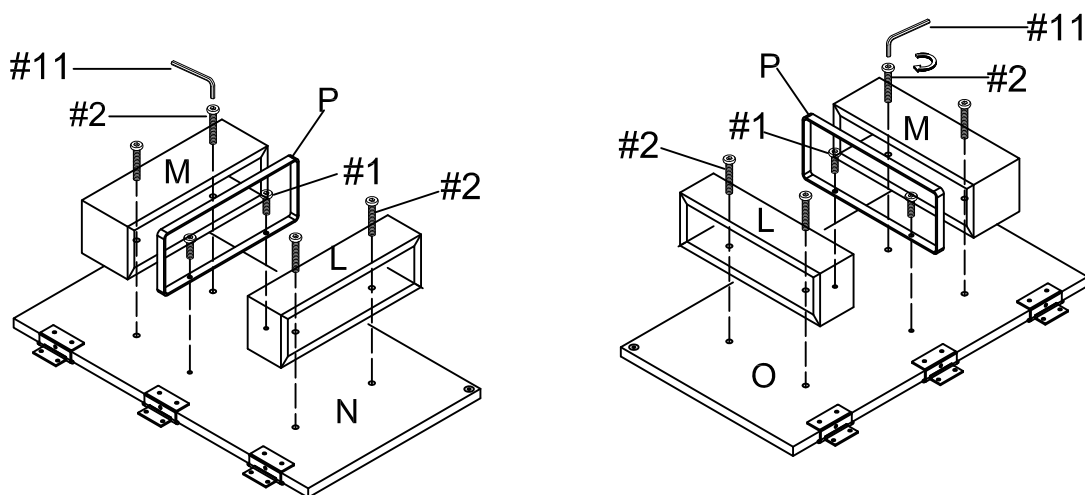
#5  x 4
 #6  x 4

Step 8. Attach back panels (part K) to assembled unit (parts A, B, C, D & J) using small screws (part #7) and phillips head screwdriver.



#7  x 20

Step 9. Attach top storage boxes (part L) and bottom storage boxes (part M) to left door panel (part N) and right door panel (part O) using short bolts (part #2) and allen wrench (part #11). Attach metal frames (part P) to left door panel (part N) and right door panel (part O) using bolts (part #1) and allen wrench (part #11).

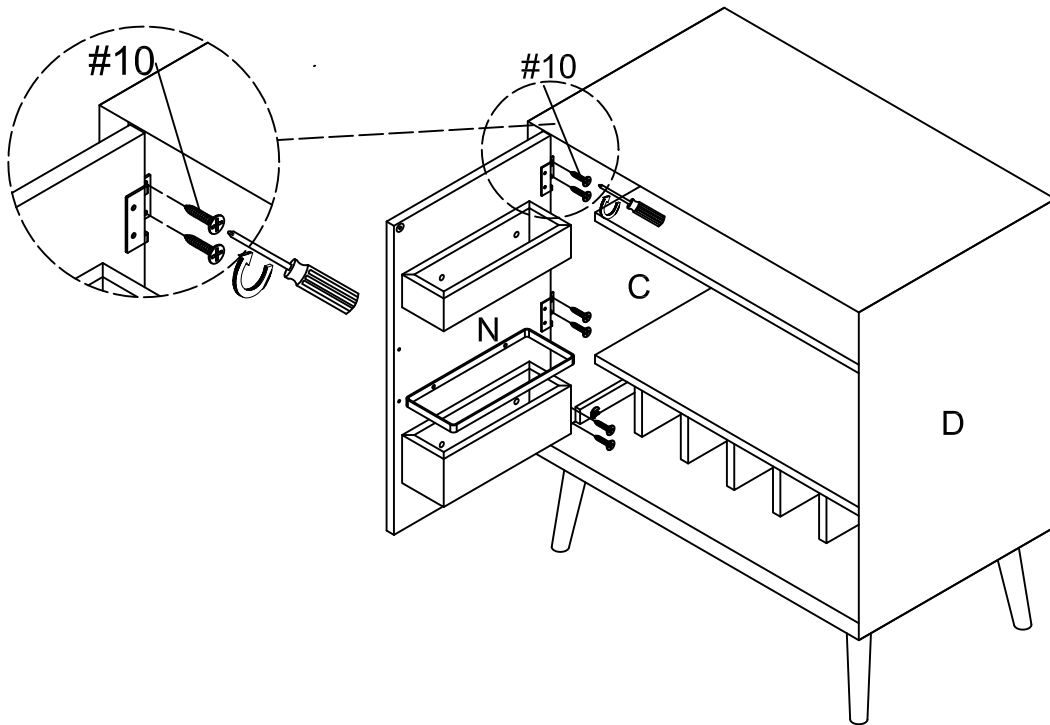


#1  x 4

#2  x 8

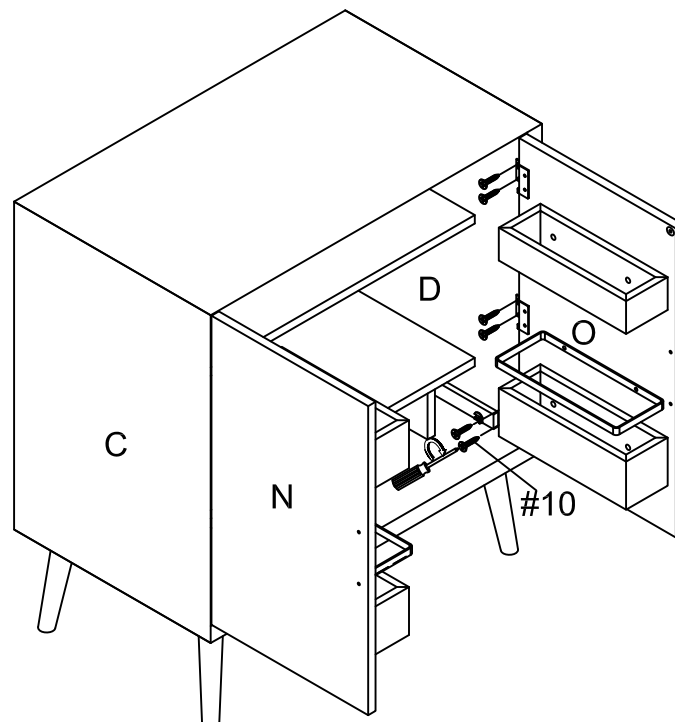
#11  x 1

Step 10. Attach left door panel (part N) to left side panel (part C) using hinges (pre-installed), large screws (part #10) and phillips head screwdriver.



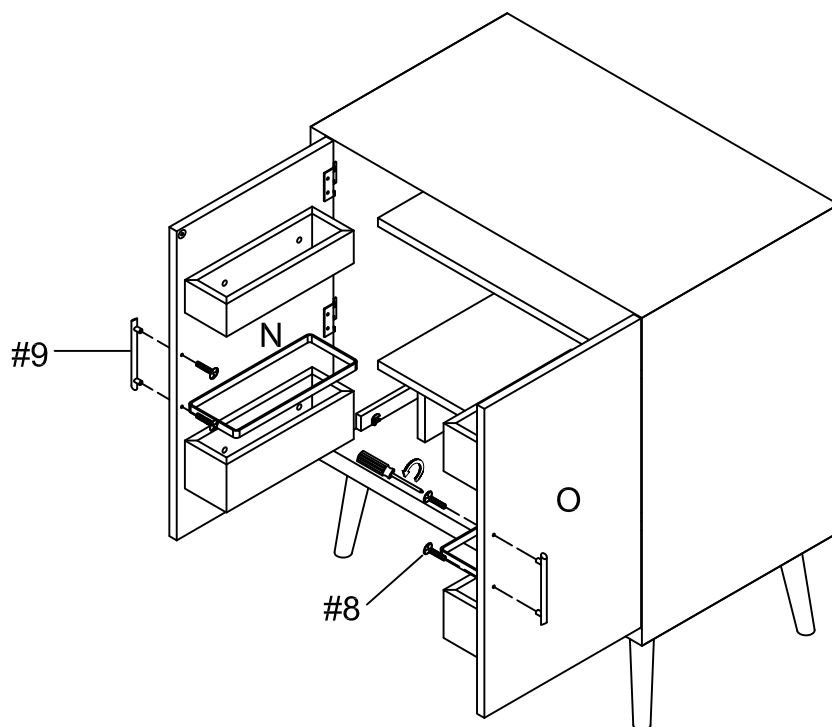
#10  x 6

Step 11. Attach right door panel (part O) to right side panel (part D) using hinges (pre-installed), large screws (part #10) and phillips head screwdriver.

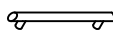


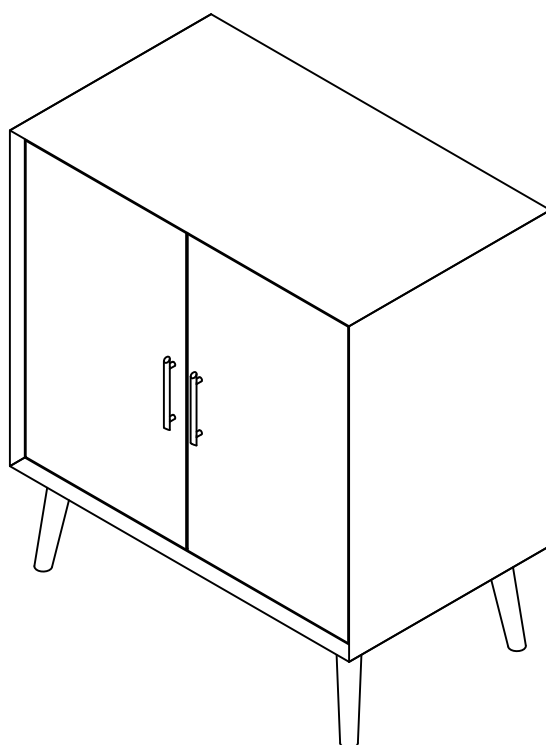
#10  x 6


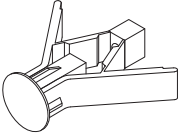

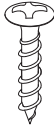
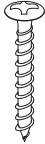
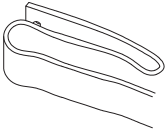
Step 12. Attach handles (part #9) to left door panel (part N) and right door panel (part O) using round head bolts (part #8) and phillips head screwdriver.



#8  x 4

#9  x 2



#12	A	B	C	D	E
			 D8 x 3/4"	 D8 x 1-1/2"	
Safety Strap Kit 1 PC	Wall Anchor 1 PC	Washer 2 PCS	Short Screw 1 PC	Long Screw 1 PC	Safety Wall Strap 1 PC

SAFETY WALL STRAP INSTALLATION

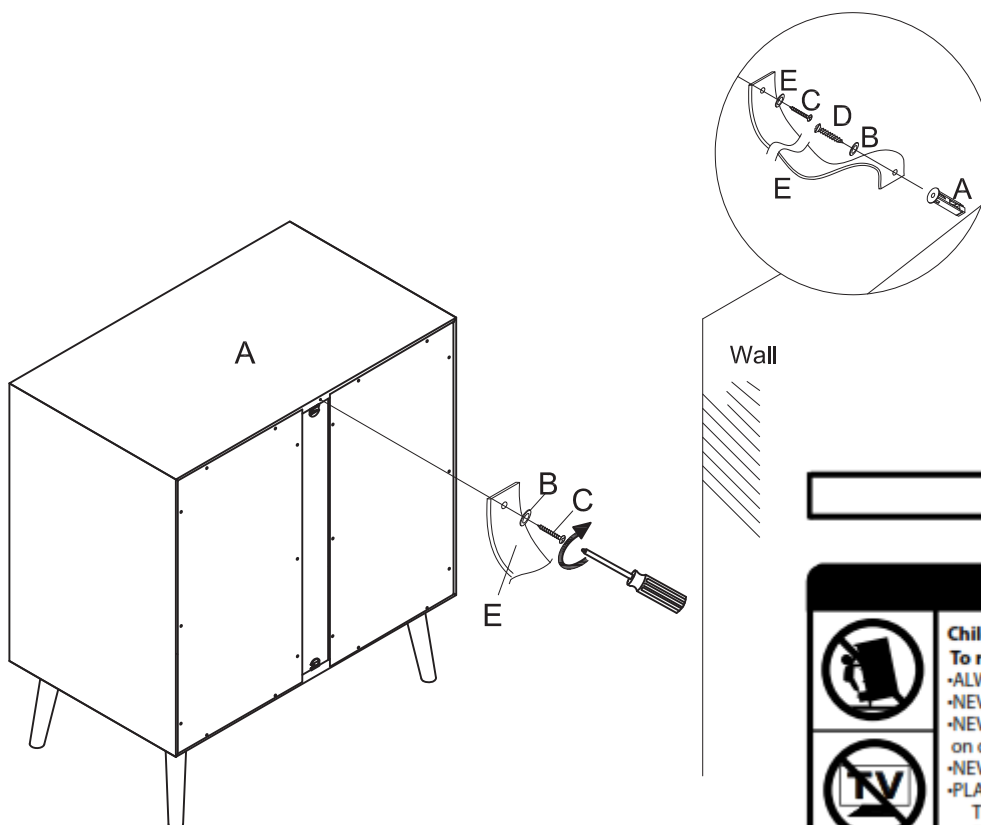
Note: It is highly recommended to install this safety strap kit to prevent tipping, damage and/or injury.

1. Insert short screw (C) through washer (B) and safety wall strap (E) and attach to back of top panel (part A) using phillips head screwdriver.

2. Drill a 11/32"(6mm) hole where you want to secure the unit. The drilled hole will be at the same height as the hole in back of top panel (part A) where safety wall strap (E) is attached. Tap wall anchor (A) into the hole.

3. Insert long screw (D) through washer (B) and safety wall strap (E) into wall anchor (A) using a phillips head screwdriver.

Note: This item is not intended for clothing storage use



WARNING

WARNING

Children have died from furniture tip-over.
To reduce the risk of furniture tip-over:

- ALWAYS install tipover restraint provided.
- NEVER put a TV on this product.
- NEVER allow children to stand, climb or hang on drawers, doors, or shelves.
- NEVER open more than one drawer at a time.
- PLACE heaviest items in the lowest drawers.

This is a permanent label.
Do not remove!